

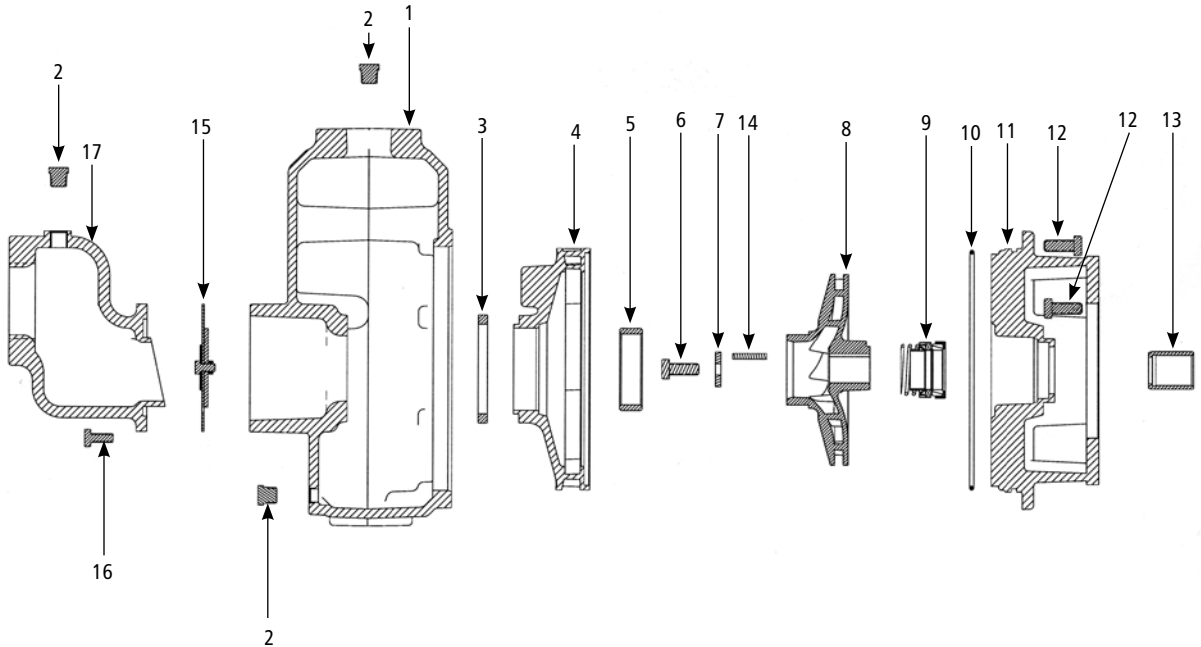
ITT

RRJSPMSPH

Commercial Water

Red Jacket Water Products

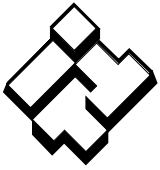
SPM & SPH Self-Priming Pumps Repair Parts



Red Jacket Water Products is a brand of ITT Corporation.

www.redjacketwaterproducts.com

Engineered for life



ITT

Commercial Water

| Location | Description | Repair Part | Qty. | |
|----------|---|----------------|--------|---|
| 1 | Case 1½" NPT | 1K538 | 1 | |
| | Case 2" NPT | 1K539 | | |
| | Case 2½" NPT | 1K540 | | |
| 2 | Pipe Plug ¼" NPT | Suction Flange | 6K2 | |
| | | Case | | 2 |
| 3 | Diffuser Seal Ring | 5K380 | 1 | |
| 4 | Diffuser – High Head | 3K77 | 1 | |
| | Diffuser – Medium Head | 3K78 | | |
| 5 | Casing Wear Ring | 4K68 | 1 | |
| 6 | Impeller Screw | 13K43 | 1 | |
| 7 | Impeller Washer | 13L39 | 1 | |
| 8 | Impeller – High Head | 5 HP | 2K1019 | 1 |
| | | 3 HP | 2K153 | |
| | Impeller – Medium Head | 5 HP | 2K1025 | |
| | | 3 HP | 2K1024 | |
| 9 | Mechanical Seal | 10K13 | 1 | |
| 10 | O-Ring | 5K74 | 1 | |
| 11 | Motor Adapter – 140/180 FR | 1K114 | 1 | |
| 12 | Hex Head Cap Screw .38 – 16 UNC .88 Lg | Case | 13K69 | |
| | | Motor | | 4 |
| 13 | Shaft Sleeve | 4K66 | 1 | |
| 14 | Key – Square End | 4K11 | 1 | |
| 15 | Check Valve Assembly | 15K55 | 1 | |
| 16 | Hex Head Cap Screw .31 – 18 UNC .75 Lg | 13K108 | 4 | |
| 17 | Suction Flange | 1" NPT | 1K535 | 1 |
| | | 2½" NPT | 1K536 | |
| | | 3" NPT | 1K537 | |



Red Jacket Water Products is a licensed trademark. The ITT Engineered Blocks Symbol are registered trademarks and tradenames of ITT Manufacturing Enterprises, Inc.

Noryl is a registered trademark of GE Plastic.

SPECIFICATIONS ARE SUBJECT TO CHANGE WITHOUT NOTICE.

RRJSPMSPH February, 2010

© 2010 ITT Corporation

Engineered for life