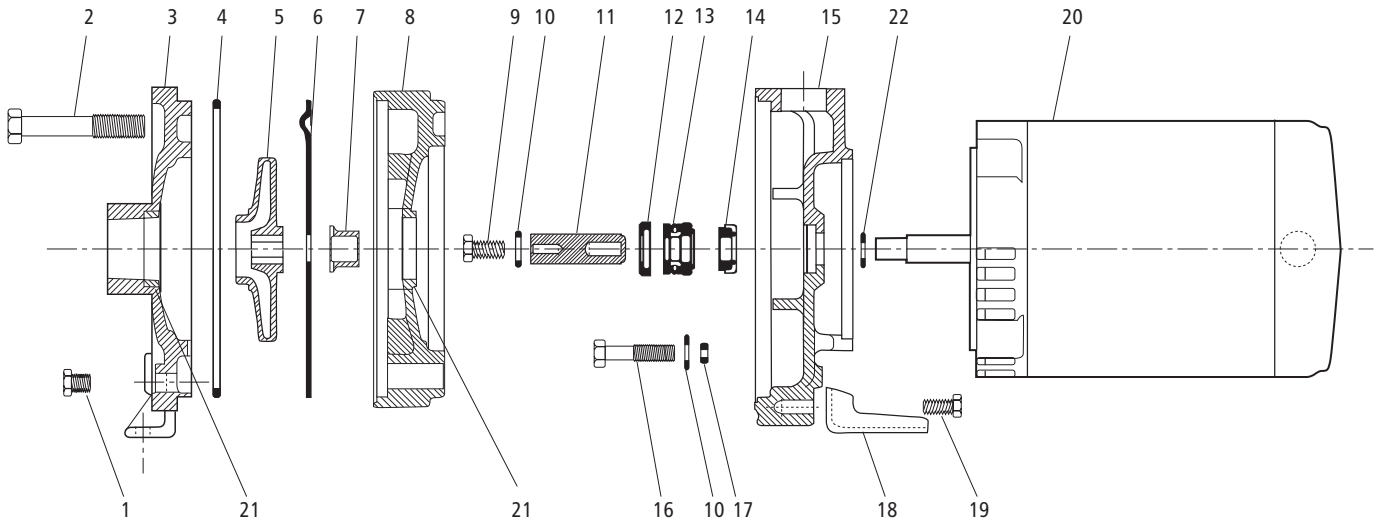


HMC



Item	Part No.	Part Name	Quantity	Pattern No.
3	1K460	Casing	1	59039
8	1K459	Intermediate stage	(1 – 2 stage)	59157
15	1K461	Motor adapter	(2 – 3 stage)	59156
5	2K322	Impeller – ¾ HP	2	
	2K289	Impeller – 1 HP	2	
	2K323	Impeller – 1½ HP	2	
	2K289	Impeller – 2 HP	3	
18	4K532	Foot	1	
21	4K327	Wear ring	(1 per 1K460 and 1K459)	
7	4K328	Sleeve	(1 – 2 stage)	
6	4K329	Coverplate	(2 – 3 stage)	
12	4K379	Seal retainer	(1 per impeller)	
9, 10, 11, 12	①4K331	Shaft extension assembly – 2 stage, ¾, 1 and 1½ HP	1	
9, 10, 11, 12	①4K332	Shaft extension assembly – 3 stage, 2 HP	1	
22	5K7	Deflector	1	
17	5K147	O-ring – motor adapter bolts	4	
4	5K178	O-ring – casing and intermediate stage	1 per stage	
1	6K2	Pipe plug ¼" NPT	3	
13	10K10	Shaft seal assembly – 1½ and 2 HP	1	
9	13K43	Impeller bolt	1	
19	13K71	Bolt – foot to adapter	1	
16	13K81	Bolt – adapter to motor	4	
10	13K212	Washer – impeller (1) and adapter (4)	5	
2	13K213	Bolt – casing to adapter, 2 stage	4	
2	13K214	Bolt – casing to adapter, 3 stage	4	

Motor Codes			
Item	HP	Model	Order No.
20	¾	75HMC	J05853LA
	1	100HMC	J06853LA
	1½	150HMC	J07858LA
	2	200HMC	J08854LA

NOTE:

① Shaft Extension Assemblies 4K331 and 4K332 include: shaft extension, 4K379 seal retainer, 13K43 impeller bolt and 13K212 washer.

Red Jacket Water Products is a licensed trademark.

Red Jacket Water Products is a brand of ITT Water Technology, Inc. – a subsidiary of ITT Industries, Inc.

ITT Engineered Blocks Symbol is a registered trademark and tradename of ITT Industries.

Visit us at: www.redjacketwaterproducts.com