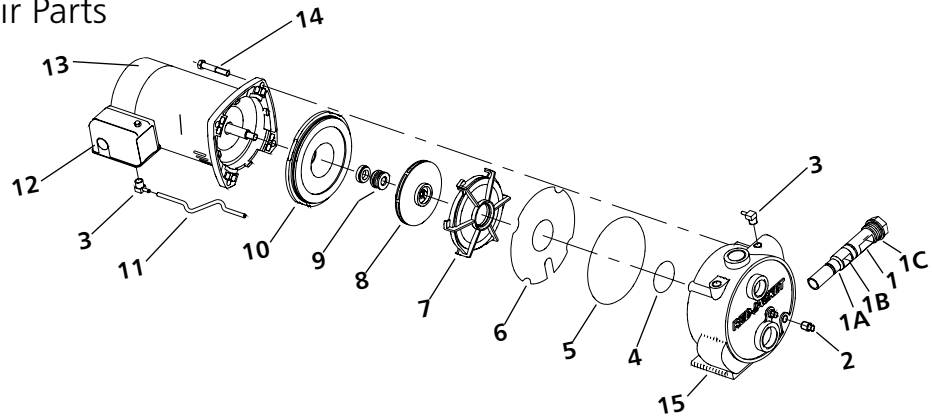


ITT

Residential Water Systems

Red Jacket Water Products

RJA Repair Parts



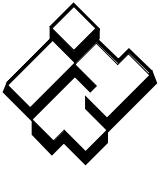
Reference	Part	Quantity	50RJA	75RJA	100RJA
1	High Capacity Injector	1	1411994	–	–
1	High Head Injector	1	1411984	1412004	1412004
1A	Injector O-Ring	1	5K338	5K338	5K338
1B	Injector O-Ring	1	5K342	5K342	5K342
1C	Injector / Plug Gasket	1	5K360	5K360	5K360
2	1/4" NPT Pipe Plug	3	6K2	6K2	6K2
3	Tubing Elbow Connector	2	6K94	6K94	6K94
4	Diffuser O-Ring	1	5K340	5K340	5K340
5	Casing O-Ring	1	5K341	5K341	5K341
6	Priming Plate	1	671701	671701	671711
7	Diffuser	1	175561	175571	175571
8	Impeller	1	1414284	1414294	1414304
9	Mechanical Seal	1 (2pc)	10K10	10K10	10K10
10	Seal Plate	1	671143	671153	671153
11	Tubing	1	6K152	6K152	6K152
12	Pressure Switch	1	1800951	1800961	1800961
13	Motor	1	1531755	1531765	1531775
14	Hex Head Screws	4	13K337	13K337	13K337
15	Casing	1	147643	147643	147643
Not Shown					
N/A	Conduit Switch Connector with Locknut	1	6K24	6K24	6K24
N/A	1" NPT Pipe Plug	1	6K155	6K155	6K155
N/A	Deep Well Plug	1	1662334	1662334	1662334
N/A	Pressure Regulator	1	1882034	1882034	1882034
N/A	Pressure Gauge	1	311541	311541	311541



www.redjacketwaterproducts.com

Red Jacket Water Products is a brand of
ITT Corporation

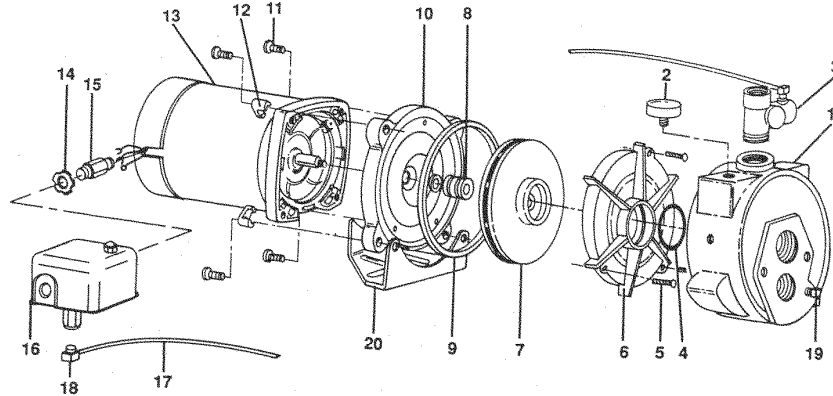
Engineered for life



ITT

Residential Water Systems

Red Jacket Water Products RJDS Repair Parts



Reference	Part	Quantity	50RJDS	75RJDS	100RJDS
1	Casing	1	123773	123773	123773
2	Pressure Gauge (0-100 PSI)	1	311541	311541	311541
3①	Pressure Control Valve Assembly	1	RJAV22	RJAV22	RJAV22
4	Diffuser O-Ring	1	5K340	5K340	5K340
5	Diffuser Screws	3	13K312	13K312	13K312
6	Diffuser	1	174121	174131	174131
7	Impeller	1	1414284	1414294	1414304
8	Mechanical Seal	1 (2pc)	10K10	10K10	10K10
9	Casing Gasket	1	313121	313121	313121
10	Seal Plate	1	659113	659123	659123
11	Hex Head Screws	4	13L43	13L43	13L43
12	Clip – Motor Mount	4	92631	92631	92631
13	Motor	1	1531755	1531765	1531775
14, 15	Switch Connector with Locknut	1	6K24	6K24	6K24
16	Pressure Switch	1	AS3C1	AS4C	AS4C
17	Tubing	1	6K152	6K152	6K152
18	Tubing Elbow Connector	1	6K94	6K94	6K94
19	1/4" NPT Pipe Plug	3	6K2	6K2	6K2
20	Bracket – Motor Mount	1	92621	92621	92621
Not Shown	Rubber Channel (used on #20)	1	9K188	9K188	9K188
Not Shown	Spacer – Motor Mount	2	803501	803501	803501

①RJAV22 includes 6K105 elbow connector, 6K2 pipe plug and a 24" long tubing.



Red Jacket Water Products is a licensed trademark.
The ITT Engineered Blocks Symbol are registered trademarks and tradenames of ITT Manufacturing Enterprises, Inc.
SPECIFICATIONS ARE SUBJECT TO CHANGE WITHOUT NOTICE.

RRJARJDS February, 2010
© 2010 ITT Corporation

Engineered for life