

# RWP Series

## Plumber's Wastewater Package Systems

### Fully Assembled Wastewater Packages

- Ribbed 23" x 30" Basin
- Roll Top 18" x 30" Polyethylene Basin
- RWW Series Pumps
- 2WW05 Series Vortex Pumps

#### APPLICATIONS

Specially designed for the following uses:

- Homes, rural water districts, parks and dewatering
- Wastewater containing solids up to 2"
- Sewage lift station
- Anywhere waste or drainage must be disposed of quickly, quietly and efficiently
- Waste drainage in new additions below sewer line.

#### Ribbed Basin Packages

##### FEATURES

- Ribbed polyethylene basin for strength and durability.
- Eight (8) bolt structural foam cover is strong and corrosion resistant.
- Vent grommets for both 2" and 3" vent provided. Adds system flexibility and reduces inventory.
- Inlet Hub is a molded-in, slip-fit type for fast, easy connection using flexible, slip-fit connectors and clamps (not included).
- Fully assembled at the factory.
- Vent, discharge and cord holes all pre-drilled.
- Torque stop insert to stabilize the pump.
- Swing type 2" check valve:
  - A9-2PH rubber sleeve type
  - A9-2P compression type
- Schedule 40, 2" PVC discharge pipe with 1/8" bleed hole is factory installed.

##### SPECIFICATIONS

- A7RP2330\_\_ Basin:**
- Ribbed polyethylene
  - Usable capacity: 24.8 gal.
  - Dimensions: 23" w x 30" h
  - Inlet: 4" slip fit hub for fast, easy connection



#### Roll Top Basin Packages

##### FEATURES

- Fully assembled at the factory for simplified installation.
- Structural foam cover is strong and corrosion resistant.
- Vent grommets for both 2" and 3" vent provided. Adds system flexibility and reduces inventory.
- Rubber grommets for positive seal and easy installation.
- Thermoplastic 4" uniseal inlet grommet.
- Factory preset mechanical float switch for dependable automatic operation.
- Vent, discharge, inlet and cord holes all pre-drilled.
- Torque stop insert to stabilize the pump.
- Swing type 2" check valve:
  - A9-2PH rubber sleeve type
  - A9-2P compression type
- Schedule 40, 2" PVC discharge pipe with 1/8" bleed hole is factory installed.

##### SPECIFICATIONS

- A7PE1830\_\_ Basin:**
- Roll top polyethylene
  - Usable capacity: 14 gal.
  - Dimensions: 18" w x 30" h
  - Inlet: 4" inlet grommet



Red Jacket Water Products is a brand of ITT Water Technology, Inc. – a subsidiary of ITT Industries, Inc.

Red Jacket Water Products is a licensed trademark.

The ITT Engineered Blocks symbol is a registered trademark and tradename of ITT Industries.

Visit us at: [www.redjacketwaterproducts.com](http://www.redjacketwaterproducts.com)

Effective June, 2004

BRWP1



**ITT Industries**

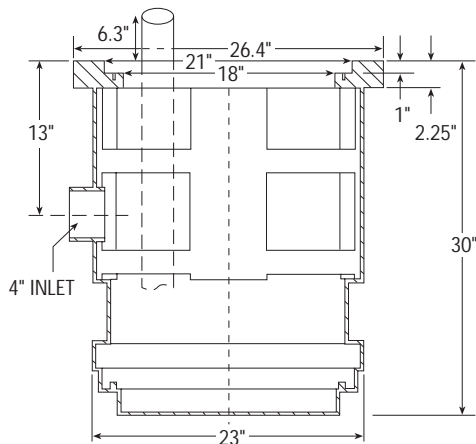
# PACKAGE INFORMATION

√ Favorites	Order Number		Pump	Volts	Basin	Cover	Check Valve	Discharge Pipe	Notes
	RWP1111	Includes	RWW51AF	115	A7RP2330 Ribbed Polyethylene 23" Diameter x 30" High with 4" Slip Type Inlet Hub and Pump Torque Stop Insert	A8SF18 18" Structural Foam Cover with Bolts, Sealing Tape and (2) 2" and (1) 3" Vent and Discharge Grommets"	A9-2PH 2" Rubber Sleeve Type	ADP2030 2" Diameter x 30" Long Schedule 40 PVC Discharge Pipe	
	RWP1112		RWW52AF	230					
	RWP1121		RWW41AF	115					
	RWP1122		RWW42AF	230					
	RWP1131		2WW0511AF	115					
	RWP1132		2WW0512AF	230					
	RWP1211		RWW51AF	115					
	RWP1212		RWW52AF	230					
	RWP1221		RWW41AF	115					
	RWP1222		RWW42AF	230					
	RWP1231		2WW0511AF	115					
	RWP1232		2WW0512AF	230					
	RWP2111		RWW51AF	115			A7PE1830 Roll Top Polyethylene 18" Diameter x 30" High with 4" Inlet Grommet and Pump Torque Stop Insert		A8SF18 18" Structural Foam Cover with Bolts, Sealing Tape and (2) 2" and (1) 3" Vent and Discharge Grommets"
	RWP2112		RWW52AF	230					
	RWP2113		RWW51AV	115					
	RWP2114		RWW51A1	115					
	RWP2121		RWW41AF	115					
	RWP2122		RWW42AF	230					
	RWP2123		RWW41AV	115					
	RWP2124		RWW41A1	115					
	RWP2131		2WW0511AF	115					
	RWP2132		2WW0512AF	230					
	RWP2211		RWW51AF	115					
	RWP2212	RWW52AF	230						
	RWP2213	RWW51AV	115						
	RWP2214	RWW51A1	115						
	RWP2221	RWW41AF	115						
	RWP2222	RWW42AF	230						
	RWP2223	RWW41AV	115						
	RWP2224	RWW41A1	115						
	RWP2231	2WW0511AF	115						
	RWP2232	2WW0512AF	230						

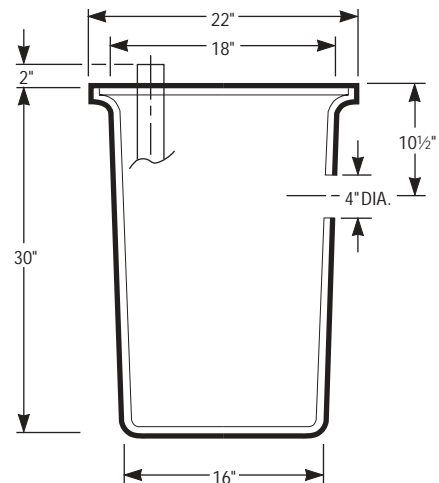
# PUMP INFORMATION

Order Number	HP	Volts	Max. Amps	Min. Circuit Breaker	Phase	Float Switch Style	Cord Length	Discharge Connection	Maximum Solid Size
RWW41AV	0.4	115	10	20	1	T-spliced Vertical	10'	2"	2"
RWW41A1	0.4	115	10	20	1	T-spliced Float Switch	10'	2"	2"
RWW41AF	0.4	115	10	20	1	Piggyback Float Switch	20'	2"	2"
RWW42AF	0.4	230	5	15	1	Piggyback Float Switch	20'	2"	2"
RWW51AV	0.5	115	13	20	1	T-Spliced Vertical	10'	2"	2"
RWW51A1	0.5	115	13	20	1	T-Spliced Float Switch	10'	2"	2"
RWW51AF	0.5	115	13	20	1	Piggyback Float Switch	20'	2"	2"
RWW52AF	0.5	230	6.5	15	1	Piggyback Float Switch	20'	2"	2"
2WW0511A	0.5	115	13	20	1	Piggyback Float Switch	10'	2"	2"
2WW0511AF	0.5	115	13	20	1	Piggyback Float Switch	20'	2"	2"
2WW0512AF	0.5	230	6.5	15	1	Piggyback Float Switch	20'	2"	2"

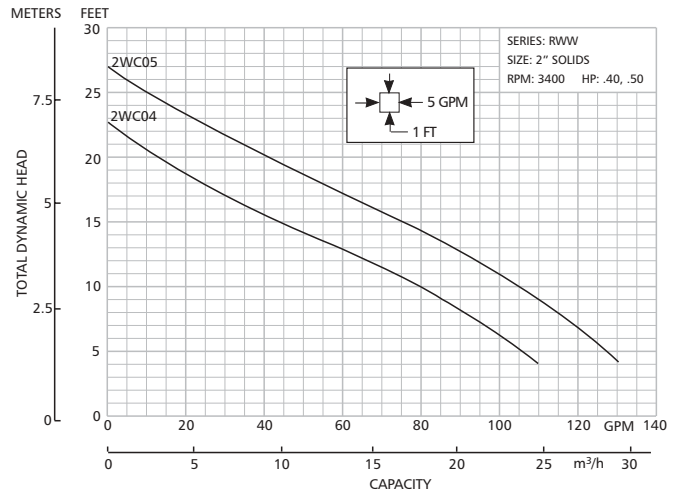
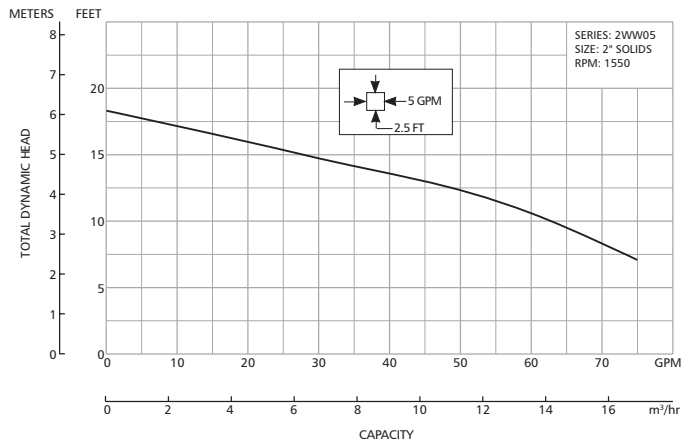
Ribbed 23 x 30 Basin Dimensions



Roll Top 18 x 30 Basin Dimensions



# PERFORMANCE CURVES



# PERFORMANCE CHARTS

These charts show actual system performance with friction loss factored in for various discharge pipe lengths. Calculations and performance based on a system with 2" PVC, schedule 40 plastic pipe (C150), (4) 90° elbows, (1) check valve and (1) shut-off valve. Wastewater requires a minimum scouring velocity of 21gpm for 2" pipe. Shaded areas do not provide min. scouring velocity - use only for gray water with no solids.

## RWW4

Pipe Length	GPM									
	Vertical Head (Feet)									
	2	4	6	8	10	12	14	16	18	20
25	96	88	82	74	65	54	43	33	24	14
50	83	77	70	63	56	47	38	30	22	13
75	74	68	62	56	49	42	35	28	21	13
100	67	62	57	51	45	39	33	26	19	12
150	57	53	48	44	39	34	29	23	17	11
200	51	47	43	39	35	31	26	22	16	10
250	46	43	39	36	33	28	24	21	16	10
300	43	39	37	34	30	27	23	19	15	9

## RWW5

	4	6	8	10	12	14	16	18	20	22
25	105	99	91	84	75	65	55	45	35	25
50	90	85	78	71	63	56	48	40	32	24
75	80	74	69	62	57	50	44	37	30	22
100	72	67	62	57	52	46	40	34	28	21
150	61	58	54	49	45	40	35	31	25	18
200	54	51	48	44	40	36	32	28	23	17
250	50	47	44	40	37	34	30	26	21	16
300	46	43	40	37	34	31	28	24	20	15

## 2WW05

	4	6	8	10	12	14	16
25	75	68	62	52	40	27	13
50	67	61	54	45	35	24	12
75	61	55	48	40	32	22	11
100	56	50	44	37	29	21	11
150	48	43	38	32	26	18	10
200	43	39	34	29	23	17	10
250	39	35	31	26	21	15	10
300	35	32	29	24	20	14	10

## NOMENCLATURE

Character	Code
1 R	= Red Jacket Water Products
2 & 3 WP	= Assembled wastewater package
4 & 5	11 = 23" x 30" ribbed basin assembly with A9-2PH check valve
	12 = 23" x 30" ribbed basin assembly with A9-2P check valve
	21 = 18" x 30" Roll top basin assembly with A9-2PH check valve
	22 = 18" x 30" Roll top basin assembly with A9-2P check valve
23*	= 18" x 30" Roll top basin with steel cover with A9-2PH check valve

\* Special order – call factory for package pricing.

Character	Code
6 & 7	11 = RWW51AF – 20' cord and piggyback switch
	12 = RWW52AF – 20' cord and piggyback switch
	13 = RWW51AV – 10' cord with vertical switch
	14 = RWW51A1 – 10' cord with t-spliced switch
	21 = RWW41AF – 20' cord and piggyback switch
	22 = RWW42AF – 20' cord and piggyback switch
	23 = RWW41AV – 10' cord with vertical switch
	24 = RWW41A1 – 10' cord with t-spliced switch
	31 = 2WW0511AF – 20' cord and piggyback switch
	32 = 2WW0512AF – 20' cord and piggyback switch
	*33 = 2WW0511A – 10' cord and piggyback switch

# RWP Series

## Plumber's Wastewater Package Systems

### RWP1\_\_\_ COMPONENTS

#### Replacement Part Number

- Ribbed polyethylene basin 23" x 30" (uses 18" diameter cover) A7RP2330
- Structural foam 18" dia. cover assembly (includes bolts, seal tape, cord grommet and (1) 3" and (2) 2" grommets) A8SF18
- Swing style check valve (2 choices)
  - 2" Compression type A9-2P
  - 2" Full flow rubber sleeve style A9-2PH
- Sch 40 PVC discharge pipe 2"D x 30"L ADP2030
- Ribbed basin 23" torque stop insert ATS23
- Vent and discharge grommets  
\*(to purchase separately from cover assembly)
  - 2" (pipe) x 4" (cover hole) grommet \*A8-24U
  - 3" (pipe) x 4" (cover hole) grommet \*A8-3U

### RWP2\_\_\_ COMPONENTS

#### Replacement Part Number

- Roll Top Polyethylene Basin 18" x 30" A7PE1830
- Structural foam 18" Dia. cover assembly (includes bolts, seal tape, cord grommet and (1) 3" and (2) 2" grommets) A8SF18
- OR
- Steel 18" Dia. cover with epoxy coating (includes bolts, seal tape, cord grommet and (2) 2" grommets) A8ST18
- NOTE: 3" vent not available on standard steel cover
- Swing style check valve (2 choices)
  - 2" Compression type A9-2P
  - 2" Full flow rubber sleeve style A9-2PH
- Sch 40 PVC discharge pipe 2"D x 30"L ADP2030
- Roll top basin 18" torque stop insert ATS18
- Inlet grommet for 18" x 30" roll top basin A8-4U
- Vent and discharge grommets  
\*(to purchase separately from cover assembly)
  - 2" (pipe) x 4" (cover hole) grommet \*A8-24U
  - 3" (pipe) x 4" (cover hole) grommet \*A8-3U



RWP1 with RWW Pump



RWP2 with 2WW05 Pump