

E518/E610

Utility Pump



Applications include Aeration, Cistern, Irrigation and Effluent.

Nylon impact and corrosion resistant discharge head and base.

Pump shell constructed with a press and roll process for better performance.

303 stainless steel shaft/coupling provides greater power transfer.

Pump and motor made of 303 stainless steel for maximum corrosion resistance.

Powered by Franklin Electric submersible motors.

Specially designed 120" SJOW motor leads handle tough effluent applications.

Red Jacket Water Products Utility Pumps are specifically designed to handle your toughest effluent applications. Both the 610 and 518 model utility pumps come equipped with a 1/2 HP, 115 Volt, Franklin Electric NEMA standard motor and a removable pump end for quick and easy service. A strainer gives the Red Jacket Utility Pump added protection against blockage. The Utility Pump can handle solids up to 1/16 inch in diameter. The model 518 Utility Pump has an optimum performance of 18 gpm, giving you greater flow on more demanding jobs. For lower flow applications, the model 610 Utility Pump has an optimum performance of 10 gpm.

Red Jacket Water Products is a licensed trademark.

The ITT Engineered Blocks symbol is a registered trademark and tradename of ITT Industries.

Visit us at: www.redjacketwaterproducts.com

BRJUTIL

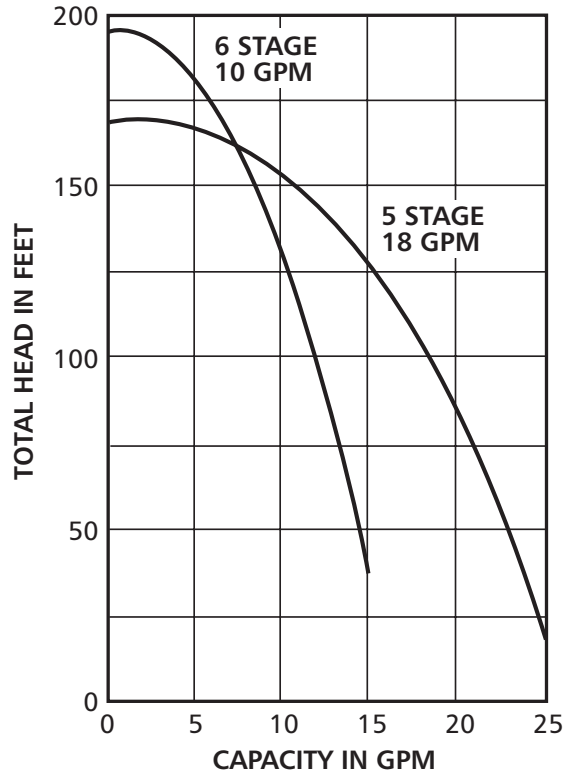


ITT Industries

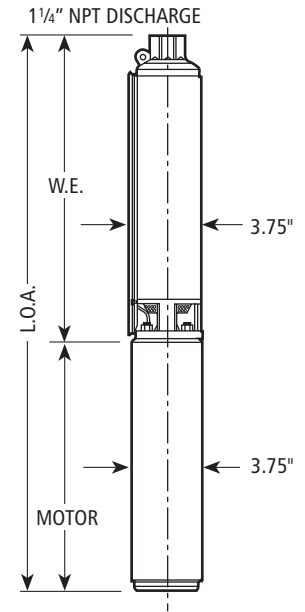
E518/E610

Utility Pump

Performance and Specifications



Dimensions (in inches)	
Discharge	1 1/4" NPT
Pump O.D.	3.75"
W.E. Length	610 - 13.6"
	518 - 11.5"
Motor Length	9.53"
LOA	610 - 23.1"
	518 - 21"



Order No.	HP	Voltage	Phase	Amps	Min. Circuit Breaker	Cord Length	Cord Type	Max. Solids Size
50F401E518	1/2	115	1	12	20	10'	SJOW Jacketed	1/16"
50F401NE518							Non-Jacketed	
50F401E610							SJOW Jacketed	
50F401NE610							Non-Jacketed	