

RSDS

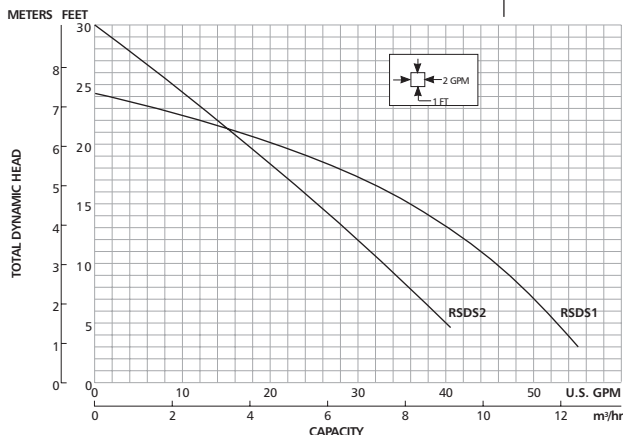
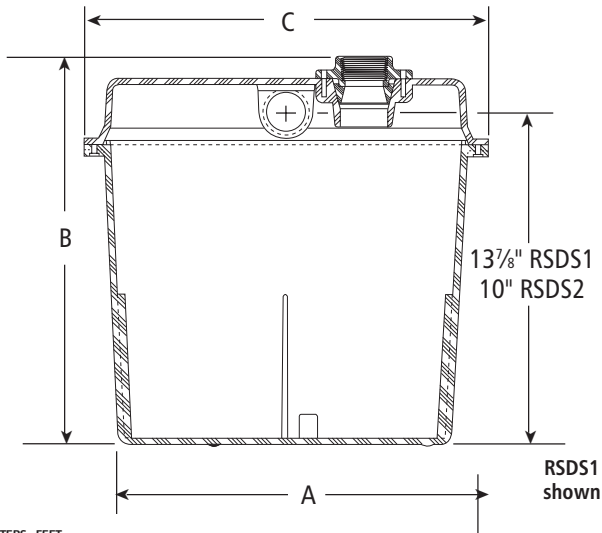
Sink Drain System



DIMENSIONS

(All dimensions are in inches and weights in lbs.
Do not use for construction purposes.)

Model	Base Dia. A	Height B	Outside Dia. C
RSDS1	14"	16½"	17"
RSDS2	12½"	14½"	16"



Red Jacket Water Products is a licensed trademark.

The ITT Engineered Blocks symbol is a registered trademark and tradename of ITT Industries.

BRJRSDS

Visit us at: www.redjacketwaterproducts.com

RSDS1

Built in overload with automatic reset.

REC4, 0.4 HP, ¾" solids handling pump.

A2H11 vertical level switch with 10 foot cord and piggy-back plug is UL and CSA listed.

10 gallon structural foam basin and cover.

1½" NPT threaded vent, discharge and inlet connections.

1½" schedule 40 PVC discharge pipe (internal).

RSDS2

Built in overload with automatic reset.

Fully assembled (individually cartoned).

Capable of running dry without damage to components.

Severe duty rated oil and water resistant power cable.

RS3V, ⅓ HP, ⅜" solids handling pump.

UL and CSA listed pump.

7 gallon polyethylene basin.

2" threaded vent.

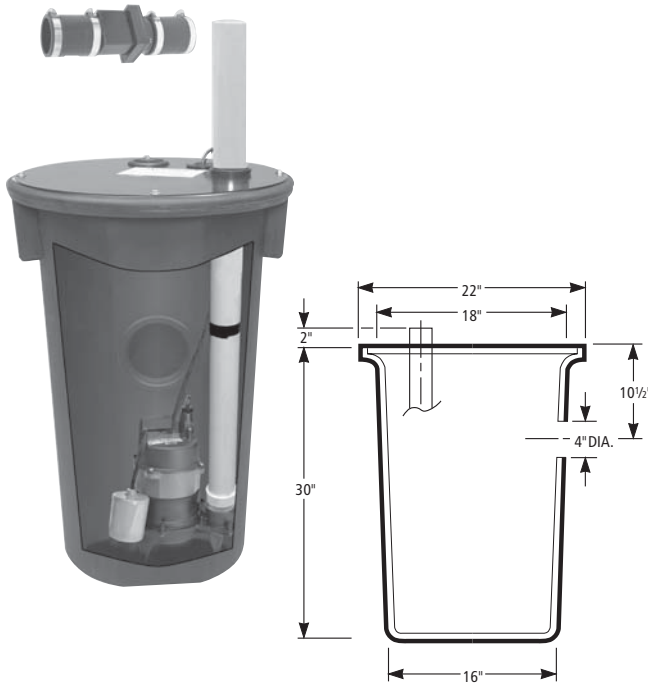
1½" threaded inlet and discharge.

Translucent basin allows easy water level inspection.

1½" schedule 40 PVC discharge pipe (internal).

RWC5P

Packaged Sewage System



Order No.	HP	Volts	Max. Amps	Discharge	Vent	Wt. (lbs.)
RWC5P	1/2	115	13.0	2"	2"	46
RWC5P3					3"	

Fully assembled at factory for simplified handling and easy installation.

Torque stops located in tank base for stability of the installed pump.

Full vortex design impeller.

Piggy-back plug design allows for automatic or manual operation of pump.

Capable of running dry without damage to components.

RWC5*, 1/2 HP, 2" solids handling pump.

A2D31 mechanical tilt switch with 20' cord.

18" x 30" polyethylene roll top basin.

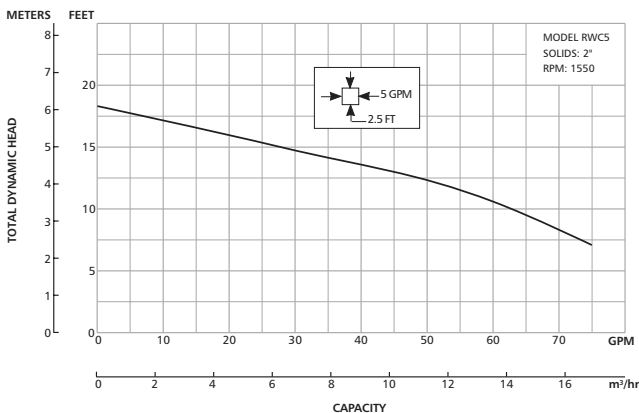
18" single piece, 14 gauge steel cover.

2" discharge connection.

Vent: 2" standard, 3" optional.

2" schedule 40 PVC discharge pipe.

Includes 2" flapper check valve.



For home, rural water districts, parks, dewatering, waste water and sewage lift station. Anywhere waste or drainage must be disposed of quickly, quietly and efficiently.