

ITT

BRJRSC

Wastewater

Red Jacket Water Products

RSC Submersible Sump/
Effluent Pump



FEATURES

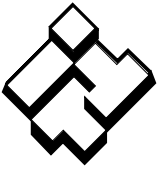
- Corrosion-resistant construction.
- Cast iron body.
- Thermoplastic impeller and cover.
- Replaceable power cord.
- **Bearings:** Upper sleeve and lower heavy duty ball bearing construction.
- **Built-In Vent Hole:** Prevents air-binding with no added labor.
- Motor is permanently lubricated for extended service life and is powered for continuous operation. All ratings are within the working limits of the motor.
- Complete unit is heavy duty, portable and compact.
- Mechanical Seal: carbon/ceramic/Buna/stainless steel.
- Stainless steel fasteners and stainless steel pipe plug.



Red Jacket Water Products is a brand of ITT Corporation.

www.redjacketwaterproducts.com

Engineered for life



ITT

RED JACKET WATER PRODUCTS Wastewater

APPLICATIONS

Specially designed for the following uses:

- Basement draining
- Water transfer
- Dewatering
- Effluent Transfer

SPECIFICATIONS

Pump:

- Discharge size: 1½" NPT
- Capacities: to 50 GPM.
- Maximum head: to 26 feet.
- Temperature: 104°F (40°C) maximum, continuous when completely submerged.
- Solids handling: ½" maximum sphere.
- Automatic models include a float switch.
- Manual model available.
- Pumping range: see performance chart on back or curve below.

MOTOR

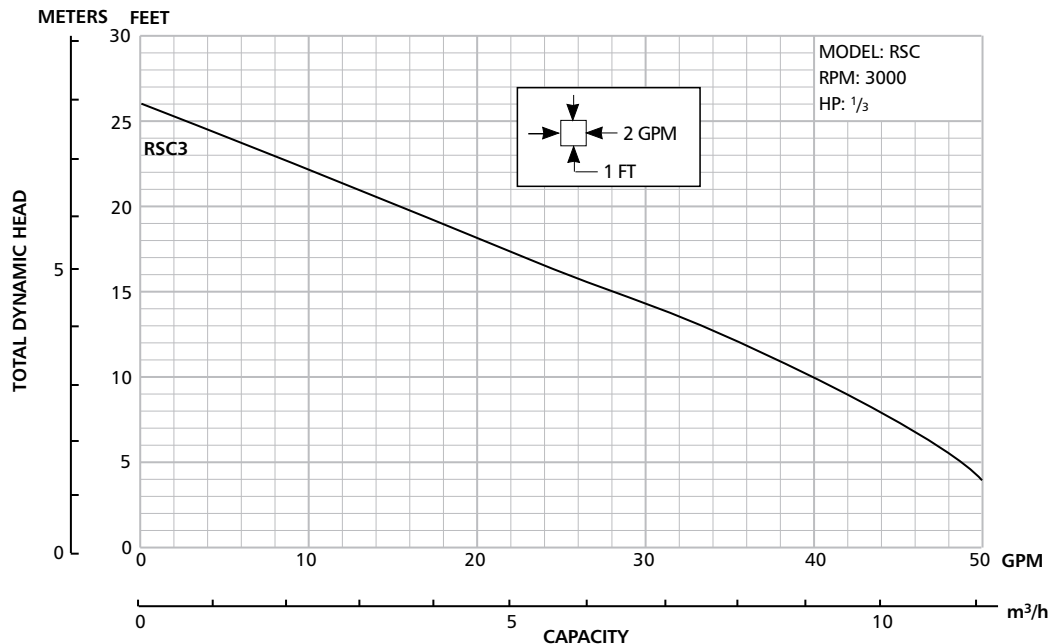
- RSC3: ⅓ HP, 115 V, 60 Hz, single phase, 3000 RPM, 12.0 amps maximum.
- Built-in thermal overload protection with automatic reset.
- Class B insulation.
- Oil filled design.
- High strength carbon steel shaft.
- Power cord: Quick disconnect 10 foot standard length, heavy duty 16/3 SJTW with NEMA 5-15 P three prong grounding plug, 115V.

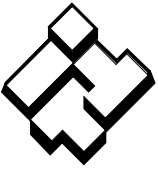
AGENCY LISTINGS



**Tested to UL 778 and
CSA 22.2 108 Standards**
By Canadian Standards Association
File #227637

PERFORMANCE CURVE





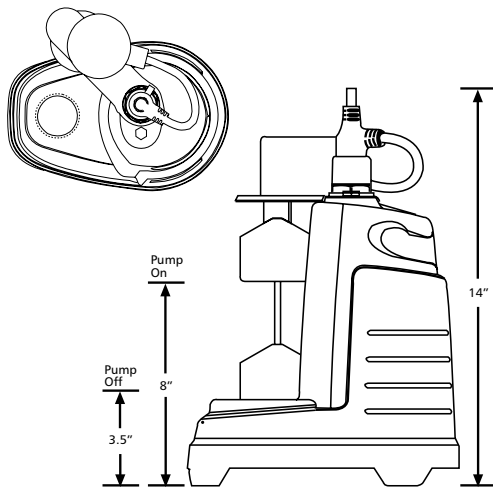
ITT

RED JACKET WATER PRODUCTS Wastewater

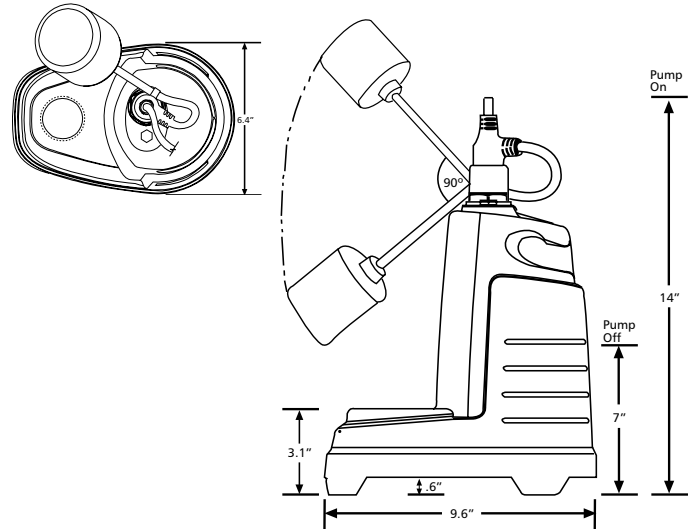
DIMENSIONS

(All dimensions are in inches. Do not use for construction purposes.)

Vertical Float Switch



Wide Angle Float Switch



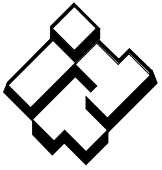
PERFORMANCE RATINGS

RSC

Total Head (feet of water)	GPM	GPH
4	50	3,000
10	40	2,340
15	28	1,680
20	15	900

MODEL INFORMATION

Order No.	HP	Volts	Amps	Min. Circuit Breaker	Phase	Float Switch Style	Cord Length	Discharge Connection	Min. On Level	Min. Off Level	Min. Basin Diameter	Max. Solids Size	Shipping Weight lbs/kg
RSC31AV	1/3	115	12.0	20	1	Built-In Vertical	10'	1 1/2"	8"	3.5"	11"	1/2	29 / 13.2
RSC31A1						Built-In Wide Angle			14"	7"	18"		
RSC31M						Plug / No Switch			Manual	Manual	11"		
RSC31P1						Piggyback Wide Angle			14"	7"	18"		
RSC31PV						Piggyback Vertical			8"	3.5"	11"		



ITT

Wastewater



Red Jacket Water Products is a licensed trademark. Big-Flo and the ITT Engineered Blocks Symbol are registered trademarks and tradenames of ITT Corporation.

SPECIFICATIONS ARE SUBJECT TO CHANGE WITHOUT NOTICE.

BRJSC R2 February, 2009
Copyright (c) 2009 ITT Corporation

Engineered for life