

ITT

Wastewater

Red Jacket Water Products

RS

Submersible Sump Pump



FEATURES

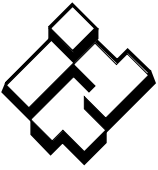
- Corrosion-resistant construction.
- Stainless Steel motor casing and fasteners.
- Glass-filled thermoplastic impeller and casing.
- Bearings: Upper and lower heavy duty ball bearing construction.
- Motor is permanently lubricated for extended service life and is powered for continuous operation. All ratings are within the working limits of the motor.
- Stainless steel shaft.
- Complete unit is light weight, portable and compact.



Red Jacket Water Products is a brand of ITT Water Technology, Inc. - a subsidiary of ITT Industries, Inc.

www.redjacketwaterproducts.com

Engineered for life



ITT

RED JACKET WATER PRODUCTS Wastewater

APPLICATIONS

Specially designed for the following uses:

- Basement draining
- Water transfer
- Dewatering

SPECIFICATIONS

Pump:

- Discharge size:
RS24V – 1 1/4" NPT,
RS25V – 1 1/2" NPT,
RS3V – 1 1/2" NPT.
- Capacities: to 40 GPM
- Maximum head: to 30 feet.
- Temperature: 104°F (40°C) maximum, continuous when completely submerged.
- Solids handling: 3/8" maximum spherical.
- Float switch: built-in non-mercury vertical; RS24V, RS25V, RS3V.
- Manual model also available – RS3.
- Pumping range: 3.0".
- Maximum pump down - 1 1/4" from base.

MOTOR FEATURES

Built-in thermal overload protection with automatic reset.

Permanent-split-capacitor type.

Class F insulation.

Air filled motor design.

Stainless steel shaft.

Power cord: 10 foot standard length, heavy duty 16/3 SJTW with NEMA 5-15 P three prong grounding plug, 115 V.

1/4 and 1/3 HP, 115 V, 60 Hz, single phase, 3400 RPM.

AGENCY LISTINGS

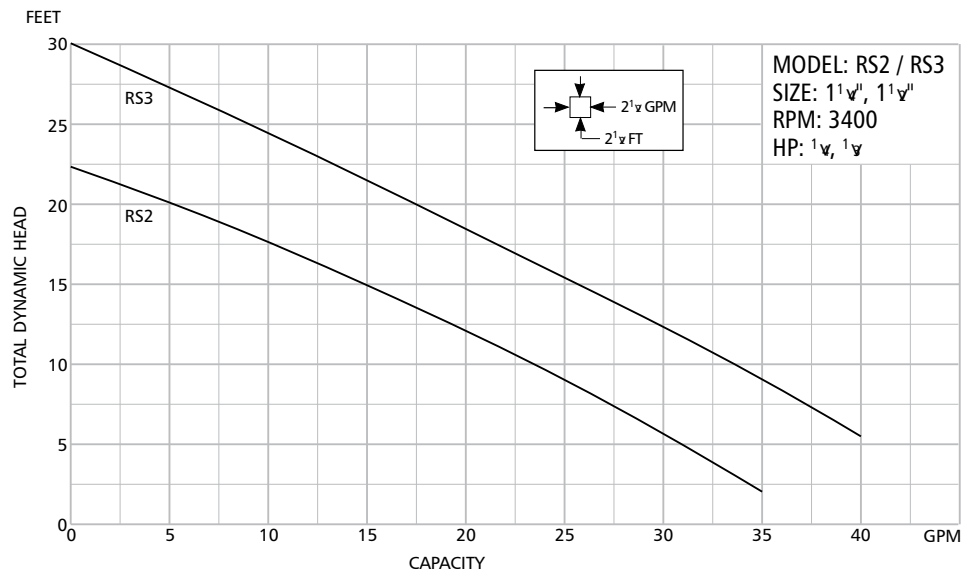


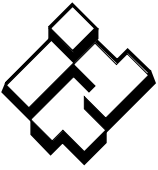
Tested to
CSA 22.2 108 Standards
By Canadian Standards
Association
File #227637



Underwriter's
Laboratories

PERFORMANCE CURVE



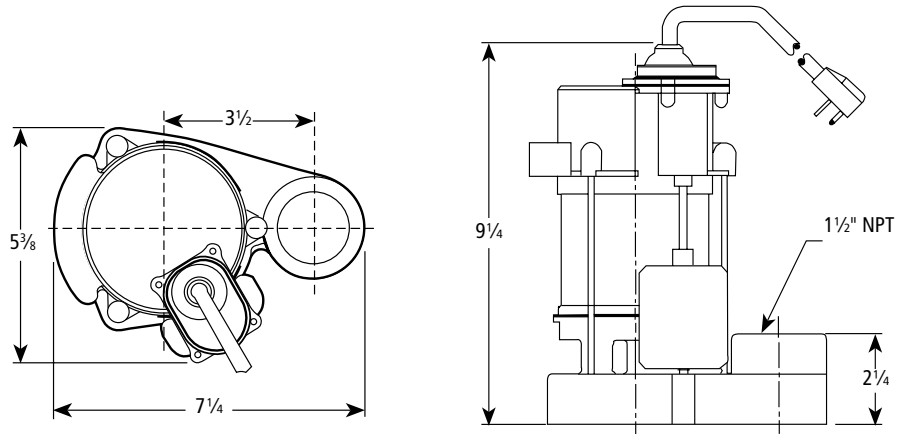


ITT

RED JACKET WATER PRODUCTS Wastewater

Dimensions

(All dimensions are in inches. Do not use for construction purposes.)



MODEL INFORMATION

Order No.	HP	Volts	Amps	Minimum Circuit Breaker	Phase	Float Switch Style	Cord Length	Discharge Connection	Minimum On Level	Minimum Off Level	Minimum Basin Diameter	Maximum Solids Size	Shipping Weight lbs/kg
RS24V	1/4	115	2.4	10	1	Built-In Vertical	10'	1 1/4"	6"	3"	9"	3/8"	8 / 3.6
RS25V				10		Built-In Vertical	10'	1 1/2"	6"	3"	9"		
RS3V	1/3	3.0	10	Built-In Vertical		10'	1 1/2"	6"	3"	9"			
RS3			10	Plug / No Switch		10'	1 1/2"	6"	3"	9"			

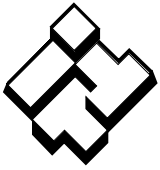
PERFORMANCE RATINGS

RS2

Total Head (feet of water)	GPM	GPH
5	31	1,860
10	23	1,380
15	15	900
20	5	300

RS3

Total Head (feet of water)	GPM	GPH
5	41	2,490
10	34	2,040
15	26	1,560
20	17	1,020
25	8	480



ITT

Wastewater



Red Jacket Water Products is a licensed trademark. Big-Flo and the ITT Engineered Blocks Symbol are registered trademarks and tradenames of ITT Industries, Inc.

SPECIFICATIONS ARE SUBJECT TO CHANGE WITHOUT NOTICE.

BRJS R1 March, 2006

© 2006 ITT Water Technology, Inc.

Engineered for life