



ITT

BCPOLY

Wastewater

CentriPro

POLYETHYLENE BASINS AND COVERS



FEATURES

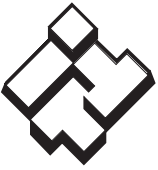
- Suitable for residential and light commercial sump or sewage applications.
- Stacking ribs and tapered profile provide greater efficiency in shipping and storage.
- Made of non-corrosive, impact resistant, virgin polyethylene.
- Basins are available with structural foam, steel or poly covers, sealing tape, 2 inch discharge/vent pipe grommets, 4 inch inlet pipe grommet and 2 inch cord seal.
- All basins listed are provided with inlet hole drilled.
- Maximum fluid temperature: 130° F (54° C).



CentriPro is a brand of ITT Corporation.

www.centripro.com

Engineered for life



ITT

CENTRIPRO Wastewater

SELECTION CHART

Order Number	Nominal Basin Size (inches)	Basin Style	Cover Style	Cover Dia. (inches)	Bolt Circle	No. Bolt Holes	Inside Dia. A	Height B	Outside Dia. C	Base Dia. D	Thickness E	Inlet F	Capacity		Weight (lbs.)
													Total Gal.	Gal. Per Inch	
A7-121614P	12 x 16 x 14	Sump Box	Oval	10 x 14	NA	8	NA	14	NA	NA	3/16"	2	11	1	7
A7-1822P	18 x 22	Sump Crock	Slotted/Poly	20.5	NA	NA	18"	22"	22"	17"	1/8"	-	22	1	6
A7-1830P	18 x 30	Poly Basin	Simplex Steel	20.5	19.5	4	18"	30"	22"	17"	3/16"	10 1/2"	30	1	10
A7-1830PIL	18 x 30	IAPMO ^①	Simplex Steel	20.5	19.5	4	18"	30"	22"	17"	3/16"	10 1/2"	30	1	10
A7-1830SP	18 x 30	Side Vent	Simplex Steel	20.5	19.5	4	18"	30"	22"	17"	3/16"	10 1/2"	30	1	18
A7-1830SPP	18 x 30	Side Vent	Simplex Poly	20.5	19.5	4	18"	30"	22"	17"	3/16"	10 1/2"	30	1	15
A7-1830SF ^②	18 x 30	Roll Top	Structural Foam	21	19.5	8	18"	30"	22"	15.6"	3/16"	10 1/2"	30	1	8
A7-2331SP	23 x 31	Side Vent	Simplex Poly	28	24.5	6	23"	30"	29"	22"	3/16"	10 1/2"	50	1.6	24
A7-1822LPN	18 x 22	Poly Basin	Slotted/Poly	20.5	19.5	4	18"	22"	22"	17"	3/16"	10 1/2"	19	1	6
A7-1822RPS	18 x 22	Radon Gas Tight	Simplex Steel	20.5	19.5	4	18"	22"	22"	17"	3/16"	10 1/2"	19	1	14
A7-1822SVP	18 x 22	Side Vent	Simplex Poly	20.5	19.5	4	18"	22"	22"	17"	3/16"	10 1/2"	19	1	10
A7-1824LP	18 x 24	Corrugated Poly	Slotted Poly	20.5	19.5	4	18"	24"	22"	17"	3/16"	10 1/2"	22	1	9
A7-2424PS	24 x 24	Poly Basin	Simplex Steel	28	26.5	6	24"	24"	29"	23"	3/16"	10 1/2"	43	1.9	35
A7-2430PS	24 x 30	Poly Basin	Simplex Steel	28	26.5	6	24"	30"	29"	23"	3/16"	10 1/2"	54	1.9	39
A7-2436P	24 x 36	Poly Basin	Simplex Steel	28	26.5	6	24"	36"	29"	23"	3/16"	10 1/2"	65	1.9	26
A7-3036PS	30 x 36	Poly Basin	Simplex Steel	34	32.5	6	30"	39"	36"	29"	5/16"	10 1/2"	103	3	45
A7-3036PD	30 x 36	Poly Basin	Duplex Steel	34	32.5	6	30"	36"	35"	29"	5/16"	10 1/2"	103	3	50
A7-3636PS	36 x 36	Poly Basin	Simplex Steel	40	38.5	6	36"	36"	41"	35"	3/16"	10 1/2"	154	4.3	55
A7-3636PD	36 x 36	Poly Basin	Duplex Steel	40	38.5	6	36"	36"	41"	35"	3/16"	10 1/2"	154	4.3	60

^① This basin meets a 10' stack test requirement.

^② This units cover is supplied with both 2" and 3" vent grommets.

PIPE GROMMETS FOR ALL BASINS AND COVERS UP TO 36" DIAMETER

Alcryn Thermoplastic can be used for basin inlet, discharge and vent connections.

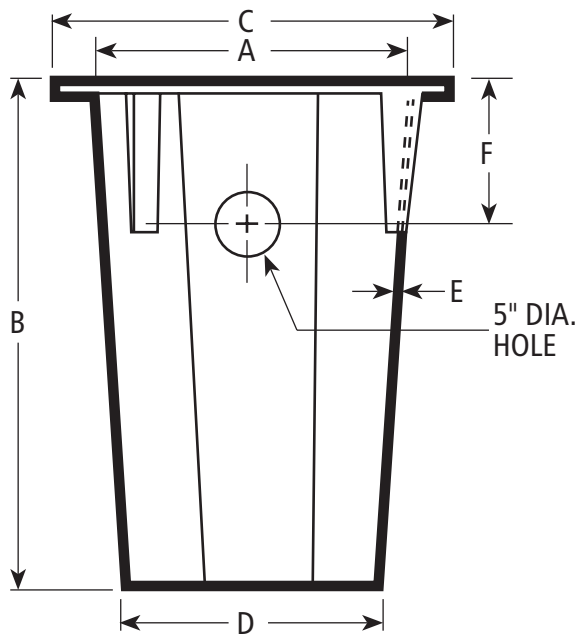
Thermoplastic Uniseal Inlet Grommet		
Order No.	Pipe Size	Required Hole Diameter
A8-2U	2"	3"
A8-24U	2"	4"
A8-3U	3"	4"
A8-4U	4"	5"
A8-4DU	4" Double Seal	5"
A8-6U	6" Seal	7"



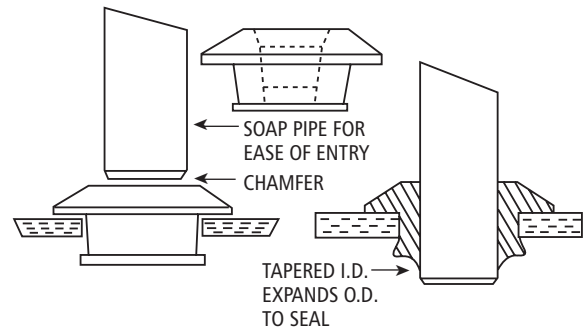
ITT

CENTRIPRO Wastewater

DIMENSIONS



PIPE GROMMET DETAIL





ITT

Wastewater



CentriPro and the ITT Engineered Blocks Symbol are registered trademarks and tradenames of ITT Manufacturing Enterprises, Inc.

SPECIFICATIONS ARE SUBJECT TO CHANGE WITHOUT NOTICE.

BCPOLY R2 May, 2010

© 2010 ITT Corporation

Engineered for life