

ITT

BCP5 R8

Wastewater

CentriPro

Simplex and Duplex Single Phase Panels

For Single Phase pumps requiring external motor components.



STANDARD PANEL FEATURES

- NEMA 4X Fiberglass Enclosure
- Pump Circuit Breaker(s)
- Control Circuit Breaker
- Motor Contactor(s)
- H-O-A Switch(es) (Hand-Off-Automatic switch)
- Pump Run Light(s) through Door
- External Motor Components
- High Level Alarm Circuit with Dry Contacts
- Flashing Red Alarm Light for High Level
- Alarm Horn, 101 db @ 10 feet
- Alternator selector switch allows a choice of automatic alternation or operation of only pump 1 or pump 2 on duplex panels. Typically used if one pump is down for maintenance.
- All controls are UL and CUL Listed



CentriPro is a brand of ITT Corporation.

www.centripro.com

Engineered for life

PANEL OPTIONS

Add option characters as order number suffixes in alphabetic order.

- C = Condensation heater, 115 volt (70 watt) prevents condensation inside the panel
- D = Single phase lightning arrestor
- F = Simplex (1) elapsed time meter, shows run time in hours
- G = Duplex (2) elapsed time meters, show run time in hours
- H = Simplex seal fail circuit for (1) pump
- J = Duplex seal fail circuits for (2) pumps
- K = Simplex cycle counter for (1) pump, records On/Off cycles
- L = Duplex cycle counters for (2) pumps, record On/Off cycles for each pump
- M = Simplex high temperature sensor circuit with pump shutdown
- N = Duplex high temperature sensor circuits with pump shutdown

SINGLE PHASE GRINDER PANEL ORDER NUMBERS

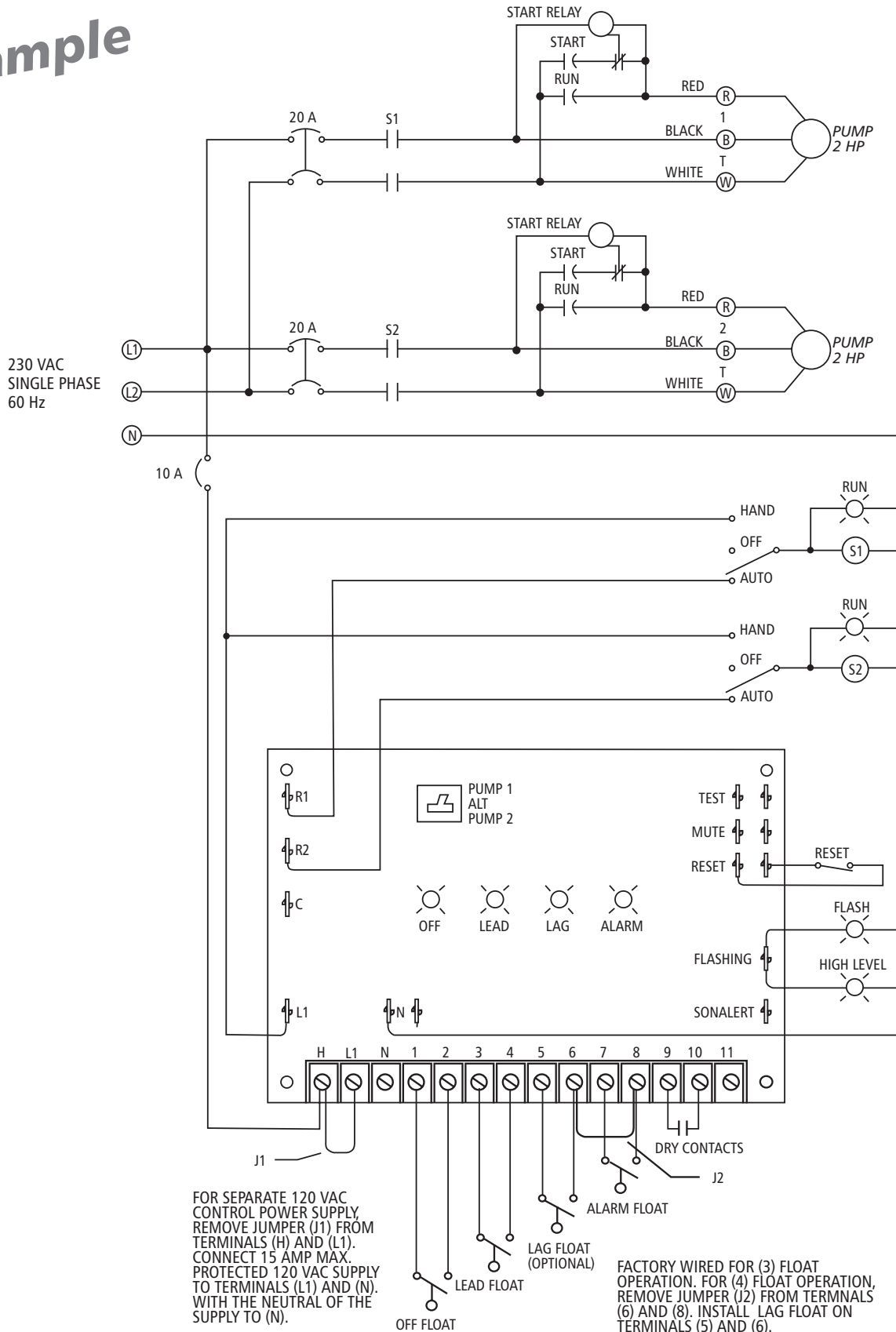
Simplex Panel	Duplex Panel	Pump		Seal Fail Circuit		Pumps	
		HP	Voltage	In Pump	In Panel		
S1GD2	D1GD2	2	230	No	No	1GD51G1AA [®]	N/A
S1GD2	D1GD2	2	208	No	No	1GD51G8AA [®]	N/A
S1GD2H [®]	D1GD2J [®]	2	230	Yes	Yes	1GD51G1AAS [®]	12GDS1G31A1A [®]
S1GD2H [®]	D1GD2J [®]	2	208	Yes	Yes	1GD51G8AAS [®]	12GDS1G21A1A [®]
S1FGC2 [®]	D1FGC2 [®]	2	230	Yes	Yes	1GA71G1HD	15GDS2G31H2D
						1GA71G1LD	15GDS2G31L2D
S1FGC3 [®]	D1FGC3 [®]	3	230	Yes	Yes	1GA81H1GD	15GDS2H31G3D
						2GA81H1KD	20GDS2H31K3D
S1FGC5 [®]	D1FGC5 [®]	5	230	Yes	Yes	2GA31J1FD	20GDS2J31F1D
						2GA31J1JD	20GDS2J31J1D

* Used on pumps built after December 2005. Call for price on components before that date.

IMPACT CONTROLS FOR MODEL MV, MK, GV PLUS

Style	Horsepower	Seal Fail Included	Voltage	Part Number
Simplex	3.8	Minicas	208	S138208
			230	S138230
	4.0		208	S140208
			230	S140230
	5.5		208	S155208
			230	S155230
	7.5		208	S175208
			230	S175230
	9.5		208	S195208
			230	S195230
Duplex	3.8	Minicas	208	D138208
			230	D138230
	4.0		208	D140208
			230	D140230
	5.5		208	D155208
			230	D155230
	7.5		208	D175208
			230	D175230
	9.5		208	D195208
			230	D195230

Sample



FOR USE WITH WIDE ANGLE FLOAT SWITCH (ONE FLOAT FOR BOTH ON AND OFF OPERATION). JUMP TERMINALS (3) AND (4), INSTALL WIDE ANGLE FLOAT TO TERMINALS (1) AND (2).



ITT

2881 East Bayard Street, Seneca Falls, NY 13148

Phone: (315) 568-7123 • Fax: (315) 568-7973

www.centripro.com

CentriPro is a registered trademark of ITT Corporation.
ITT, the Engineered Blocks Symbol and Engineered for Life are
registered trademarks of ITT Manufacturing Enterprises, Inc.

Copyright © 2010 ITT Corporation BCP5 R8 July, 2010 Printed in U.S.A.
SPECIFICATIONS ARE SUBJECT TO CHANGE WITHOUT NOTICE.

