



ITT

BCPS120 R3

Wastewater

CentriPro

S12015FR 1Ø
Simplex Control Panel



FEATURES

- Rugged NEMA 4X construction with-stands even the most severe weather conditions and prevents corrosion.
- Hinged door with lockable stainless steel latch for safe operation indoors and out.
- Dead front, full inner door for operator safety-access provided for H-O-A switch, pump run light, alarm test switch, ETM and pull-out service disconnect.
- High level alarm circuit with external alarm horn silence switch.
- Alarm test switch on inner door insures proper operation of the alarm circuit without the need to actuate the alarm float.
- Inside mounted pump run light.
- Top mounted high intensity red light provides 360° visibility.
- Corrosion proof alarm horn.
- Color coded wiring, screw type terminals, ensure ease of field servicing.
- Field wiring diagram, panel schematic and installation instructions included.
- Entire unit is UL and CUL listed.
- Non-modifiable – no options available.



CentriPro is a brand of ITT Corporation.

www.centripro.com

Engineered for life

CentriPro

S12015FR, 1Ø Simplex Control Panel

APPLICATIONS

Simplex liquid level controller, automatically maintains pump operation, includes high level alarm warning for a variety of sump, effluent, sewage and water transfer applications.

SPECIFICATIONS

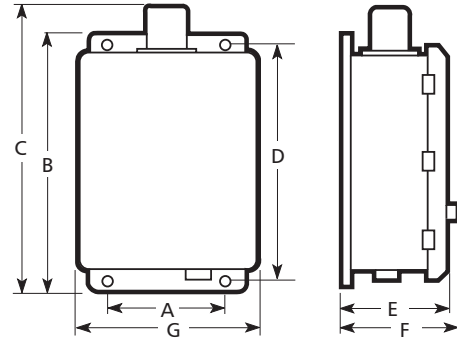
- Single-phase, 115 volt, 60 hertz
- NEMA 4X Fiberglass Deadfront Enclosure
- Full Inner Door
- Elapsed Time Meter
- Service Disconnect inside enclosure, pull-out type
- Float Switches – included with panel:
 - (1) A2E33, 20' SJE Pump Master Plus®
 - (1) A2N33, 20' SJE Sensor Float® control switch
- Hand-Off-Automatic (H-O-A) pump selection switch on inner door
- Accepts single or dual power feed
- Numbered Terminal Strip – screw type
- NEMA 4X, 30 watt Red Alarm Light
- NEMA 4X Alarm Horn – 95 db. with external silence switch
- Alarm Test Switch on inner door
- Pump Run Light on inner door
- Auxiliary Alarm Contacts

Order No.	Maximum Running Amps	Float Switches (Model and Quantity)
S12015FR	15	(1) A2E33 pump switch
		(1) A2N33 high level switch

ENCLOSURE DIMENSIONS (IN INCHES)

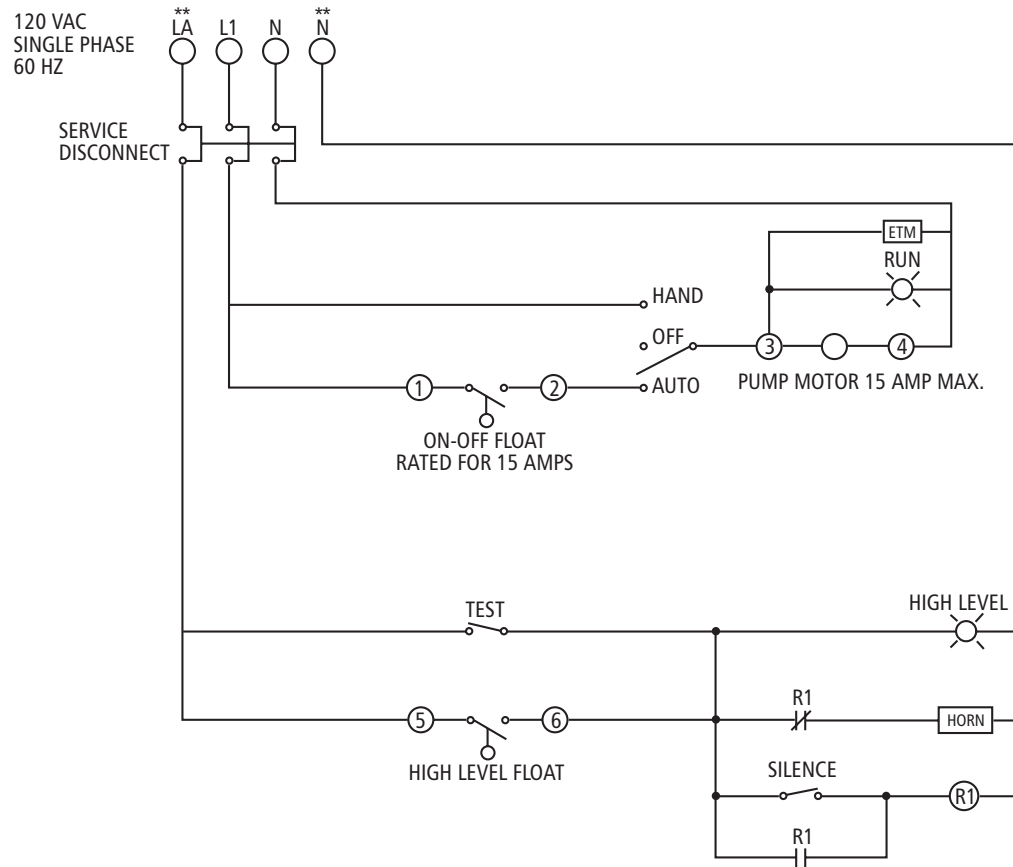
Single Phase

A	B	C	D	E	F	G
6.3	11.5	14.3	10.8	5.5	6.0	9.3



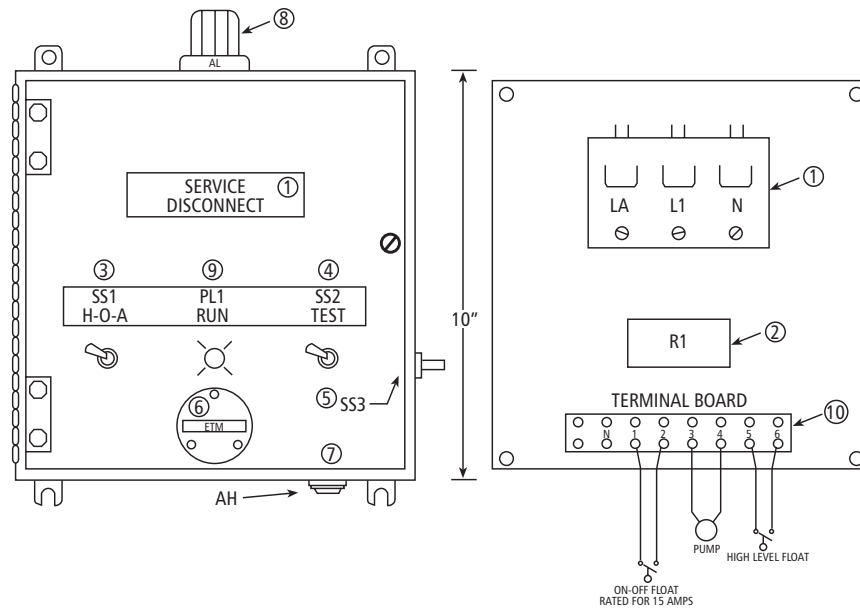
WIRING DIAGRAM

* INSTALL JUMPER BETWEEN LA AND L1, N AND N IF A SEPARATE ALARM CIRCUIT IS NOT REQUIRED
 ** CONNECT 120 VAC CIRCUIT TO TERMINAL LA AND N FOR SEPARATE ALARM POWER.



COMPONENTS

No.	Item	Description
1	DISC	Service Disconnect
2	R1	Control Relays
3	SS1	Switch H-O-A
4	SS2	Switch Alarm Test
5	SS3	Switch Alarm Silence
6	ETM	Running Time Meter
7	AH	Alarm Horn
8	AL	Alarm Light
9	PL1	Pump Run Light
10	TB	Wiring Terminal Board



ITT
 2881 East Bayard Street, Seneca Falls, NY 13148
 Phone: (315) 568-7123 • Fax: (315) 568-7973
www.centripro.com

CentriPro is a registered trademark of ITT Corporation. ITT, the Engineered Blocks Symbol and Engineered for Life are registered trademarks of ITT Manufacturing Enterprises, Inc.

Copyright © 2009 ITT Corporation BCP5120 R3 June, 2009
 SPECIFICATIONS ARE SUBJECT TO CHANGE WITHOUT NOTICE.

Printed in U.S.A.



Engineered for life